

Atlas

CONCEALED MECHANICAL CISTERN AG WITH PUSH BUTTON



Alternate buttons available:



FBUTMECHBB FBUTMECHMB

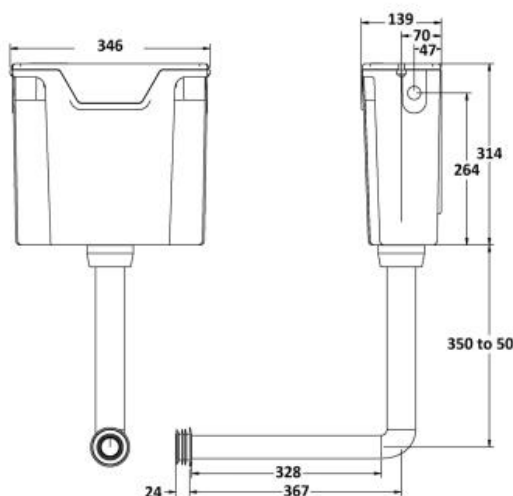
Product Code	BTWCOMPACT3
Flushing Volume (Ltr)	6/4L & 4.5/3
Weight (Kg)	3
Cistern fittings included	Yes
Pre-installed/Bagged	Pre-installed
Material	Mixed Plastics
Flushing Mechanism	Dual Flush
Inlet	Side / Bottom (Swivel Elbow included)
Access	Top

Key features:

- UKCA compliant
- Mechanical operation
- Made from recyclable materials
- Side entry or bottom
- Water saving delayed fill valve

Description:

Concealed cistern with a chrome push button and a choice of alternate finishes for the push button. Side entry air gap fill valve. This cistern ensures robust, water-saving performance and easy maintenance. Preassembled for quick installation. Swivel Elbow included for bottom fill conversion if needed.



All dimensions are approximate and subject to normal variation. Although every effort is made not to change the above product specification, Lecico reserve the right to do so without prior notification if necessary. All guarantees are against manufacturers defects. Full information on guarantees available upon request.