

Atlas

56CM UNDER COUNTER BASIN 0TH



Product Code	ASWHUCBA
Weight (Kg)	8.9
Material	Vitreous China
Tap holes	0
Fixings	Includes cutting template Fixings not included
Extras	Bottle trap - BOTRAPCH/ Waste - TPOPRNEW Bracket - BRACKLS

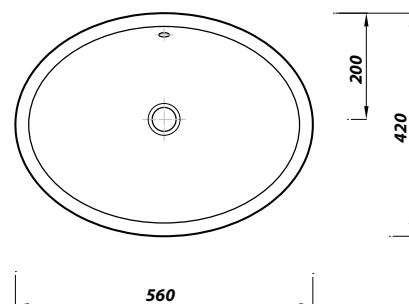
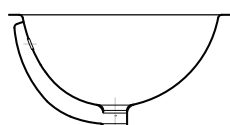
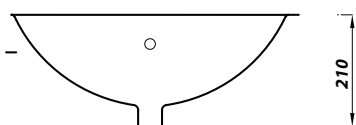
*Bracket not included

Key features:

- UKCA compliant
- Internal overflow
- Lifetime ceramic guarantee*

Description:

Under counter basins are designed for use with solid or composite, natural or man-made worktops. Ideal for contemporary bathrooms or commercial settings.



All dimensions are approximate and subject to normal variation. Although every effort is made not to change the above product specification, Lecico reserve the right to do so without prior notification if necessary. All guarantees are against manufacturers defects. Full information on guarantees available upon request.