

Atlas

ATLAS 50CM SEMI RECESSED BASIN 2TH



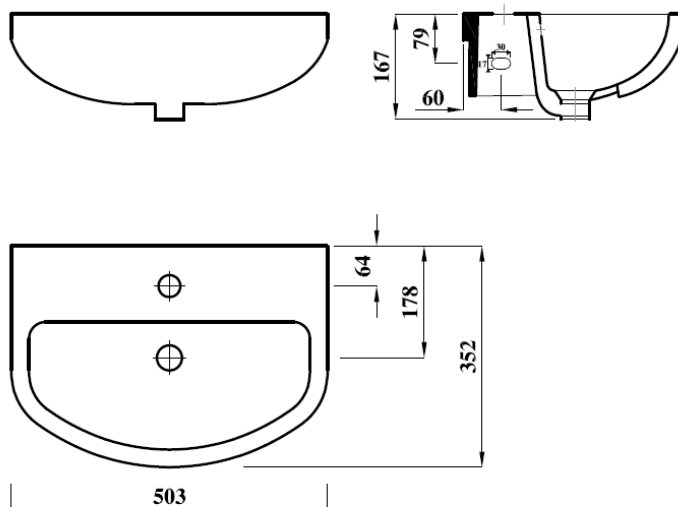
Product Code	ASWHGSR50BA2
Weight (Kg)	10
Material	Vitreous China
Tap holes	2
Fixings	Brackets - BRACKAR (Not included)
Extras	Bottle trap - BOTRAPCH / Waste - TPOPRNEW

Key features:

- UKCA Compliant
- Clean-lined
- Internal overflow
- Fully glazed at rear
- Lifetime ceramic guarantee*

Description:

Matching current trends, these basins are clean-lined and feature no soap dish indents or raised ridges that could act as dirt or germ traps, making cleaning and maintaining hygiene even easier.



All dimensions are approximate and subject to normal variation. Although every effort is made not to change the above product specification, Lecico reserve the right to do so without prior notification if necessary. All guarantees are against manufacturers defects. Full information on guarantees available upon request.