

ATLAS PROFESSIONAL COLLECTION

BACK TO WALL PAN (6/4L - 4/2.6L)



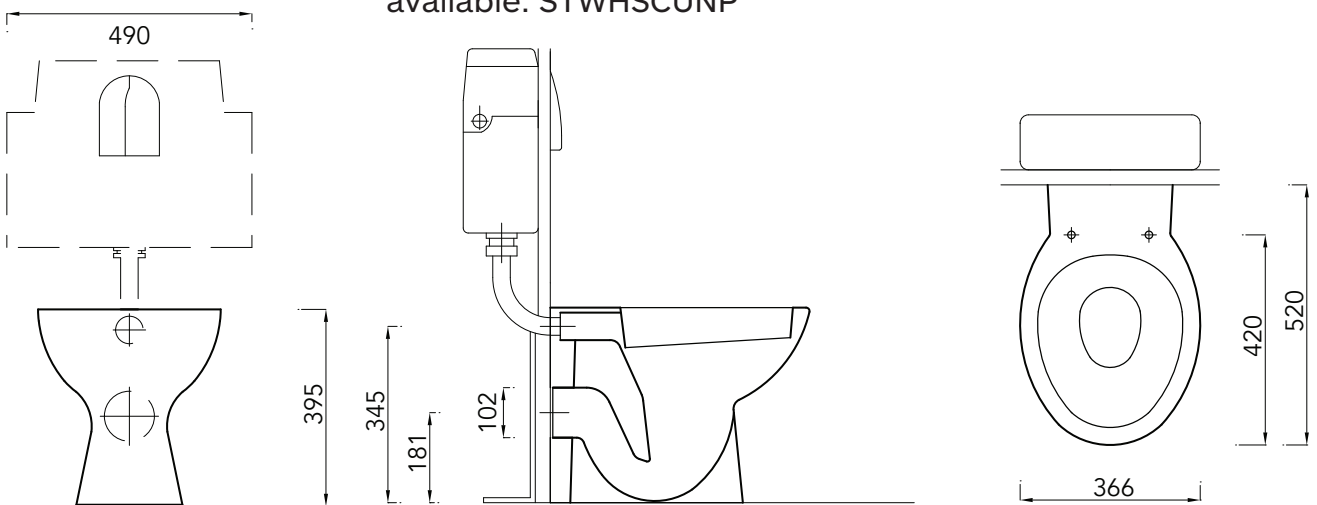
| | |
|--------------------------------|-----------------------|
| Product Code | ASWHBWPA |
| Outlet | Horizontal |
| Weight (Kg) | 18.48 |
| Fixing kit included | No |
| Material | Vitreous China |
| Flushing Volume (Ltr) | 6/4 or 4/2.6 |
| Suitable Lever Cisterns | BTWLEVCI - BTWPHACI |
| Suitable PB Cisterns | BTWPBCI - BTWCOMPACT2 |
| Suitable Standard Seat | STWHSSUNP |

Key features:

- CE Compliant
- Modern design
- Lifetime ceramic guarantee*

Description:

This back to wall pan is perfect for commercial and domestic installations alike. Back to wall pans are increasingly popular in part due to the reduced footprint and the ease of which they can be cleaned. Back to wall pans require the use of a concealed cistern which can be either lever or push button operated. Soft close seat available: STWHSCUNP



All dimensions are approximate and subject to normal ceramic variation. Although every effort is made not to change the above product specification, Lecico reserve the right to do so without prior notification if necessary. *Against manufacturers defects. Full information on guarantees available upon request.