

# Atlas

## 22X16 BASIN 2TH



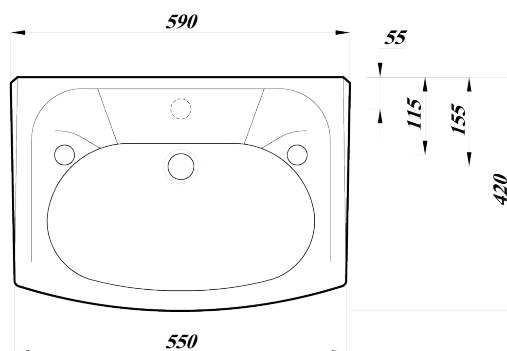
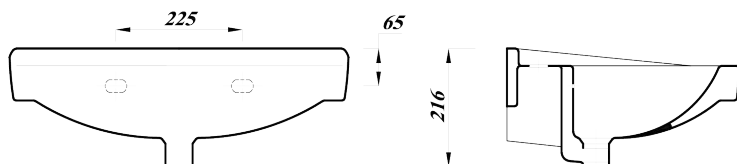
<b>Product Code</b>	<b>ASWH22BA</b>
<b>Weight (Kg)</b>	13.9
<b>Material</b>	Vitreous China
<b>Tap holes</b>	2
<b>Fixings</b>	Bracket - TRB Fixing bolts - FBWB (sold separately)
<b>Extras</b>	Bottle trap - BOTRAPCH

### Key features:

- UKCA compliant
- Internal overflow
- Chainstay hole
- Integrated towel rail
- Lifetime ceramic guarantee\*

### Description:

The 2216 is a large rectangular basin with two tap holes suitable for washrooms and other commercial applications. This basin can be wall mounted using towel rail brackets (TRB) for a practical & cost effective solution. Named because of its imperial dimensions.



\*Drawing is subject tolerances of 7%

All dimensions are approximate and subject to normal variation. Although every effort is made to change the above product specification, Lecico reserve the right to do so without prior notification if necessary. All guarantees are against manufacturers defects. Full information on guarantees available upon request.