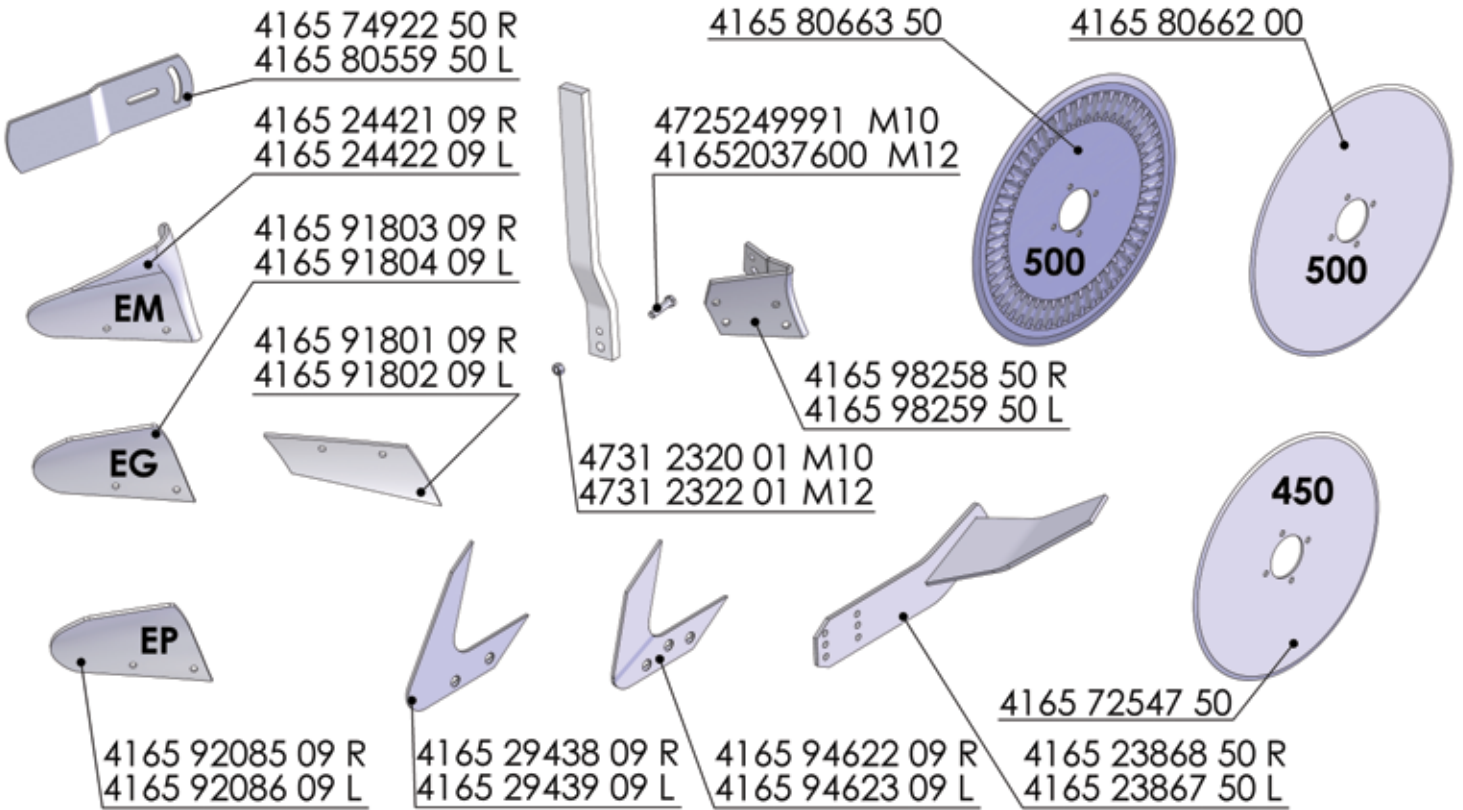
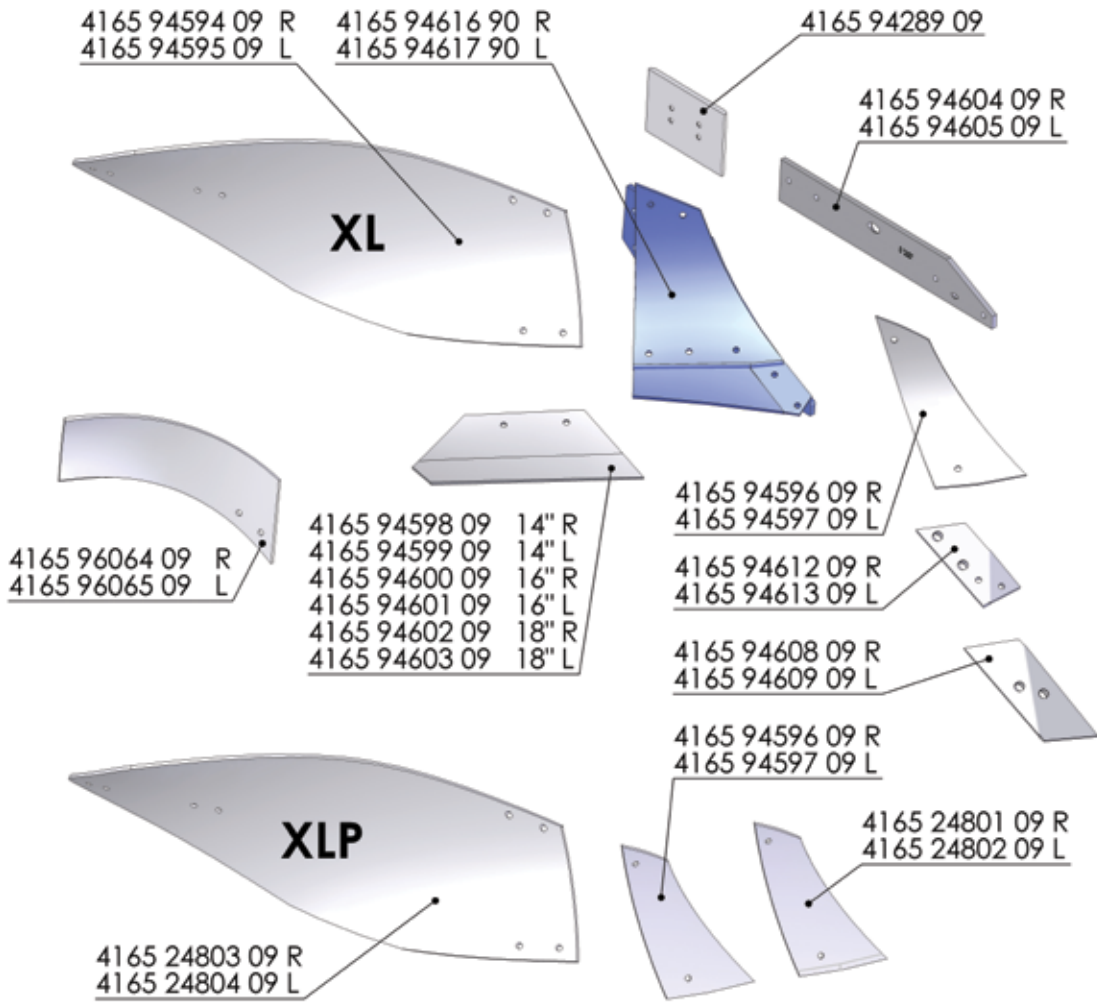
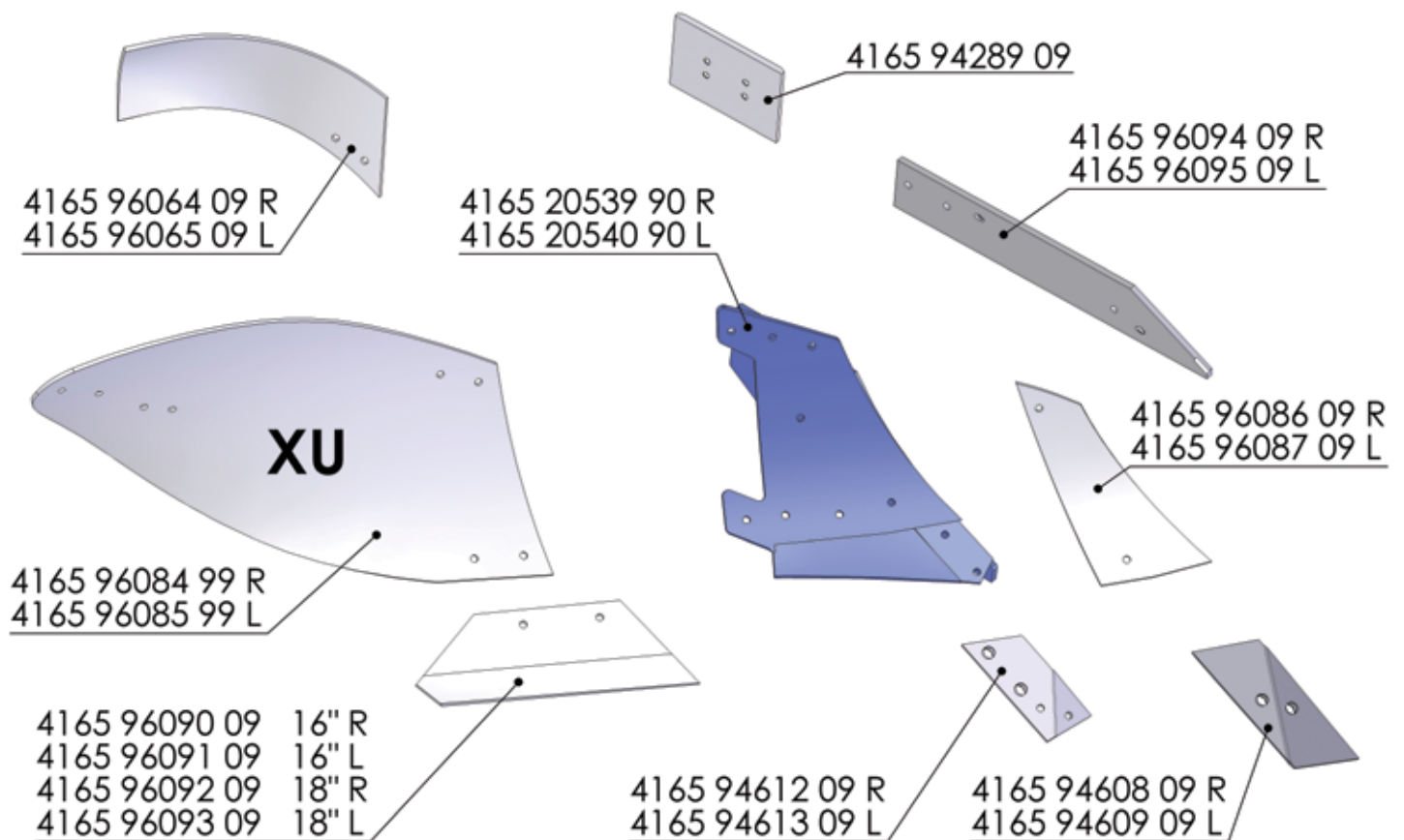
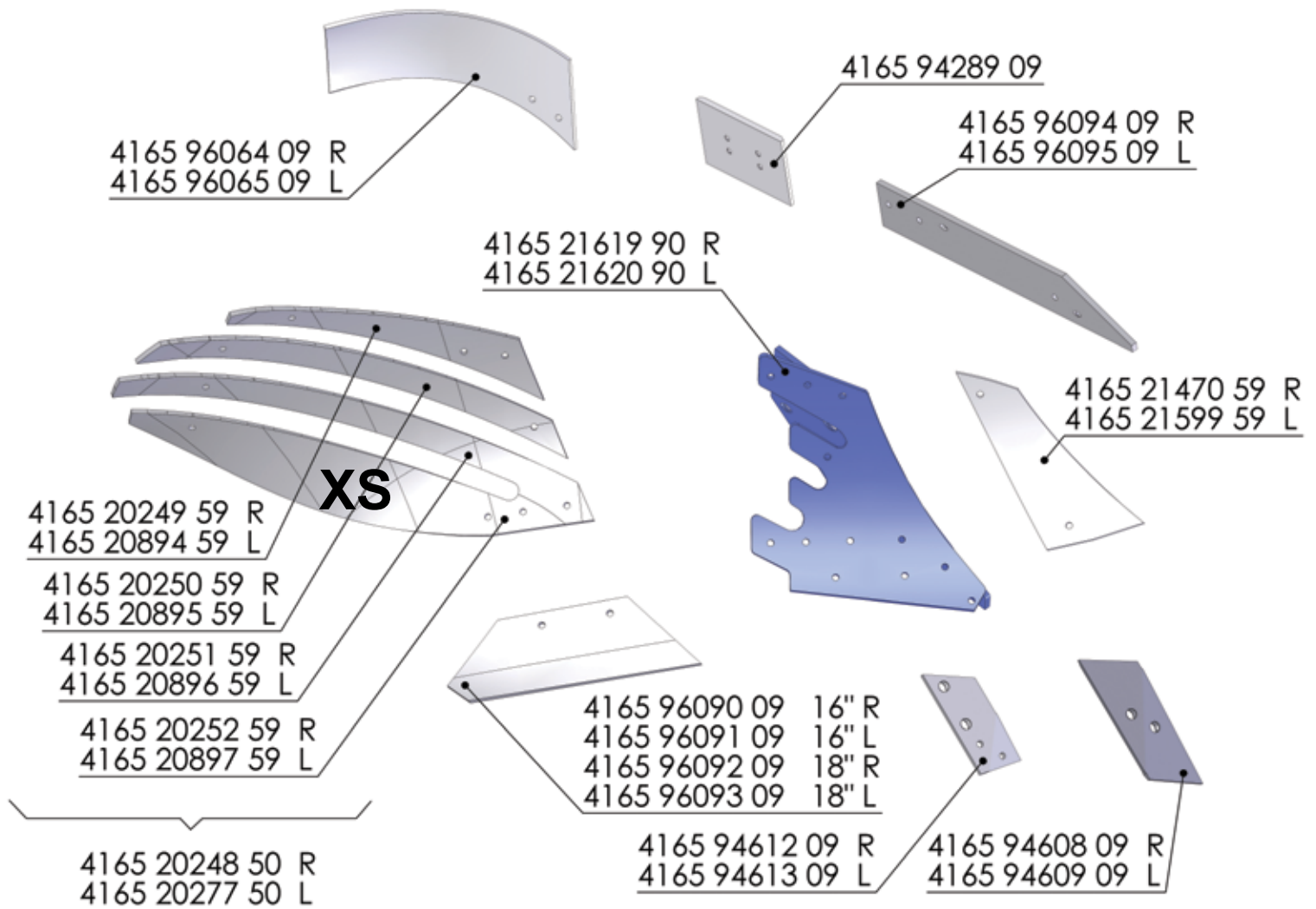


Genuine Parts



Spare parts for Överum Ploughs

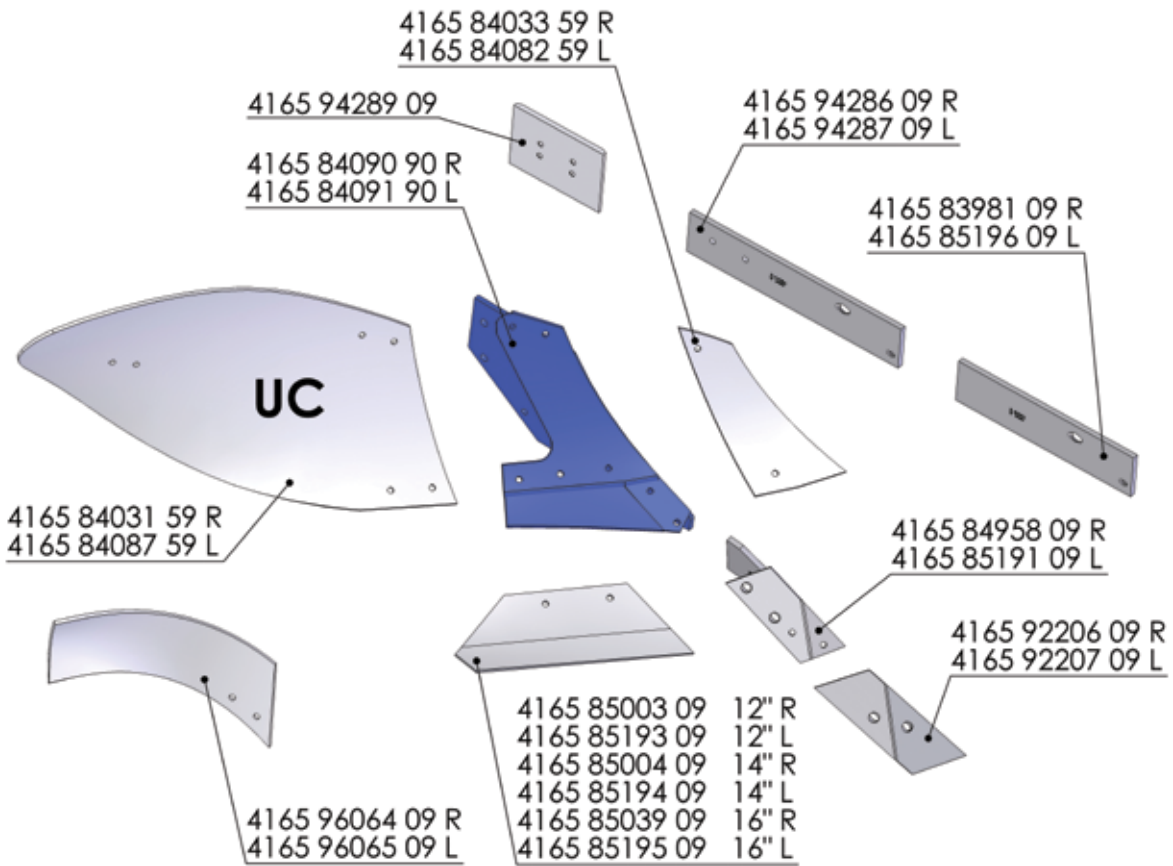






Key features of genuine Överum wearing parts:

- High level of wear resistance coupled with excellent value for money
- 'First-time fit' peace of mind
- Low draft requirement
- High quality, specially-designed bolts and nuts included
- Optimum quality Scandinavian steel
- Continuous quality checks



101001271 EXP/GB/Spare parts Ploughs/BRO 0111

Subject to alternative changes reserved



Kongskilde Industries A/S

Tel. +45 33 68 35 65

mail@kongskilde.com

www.kongskilde.com