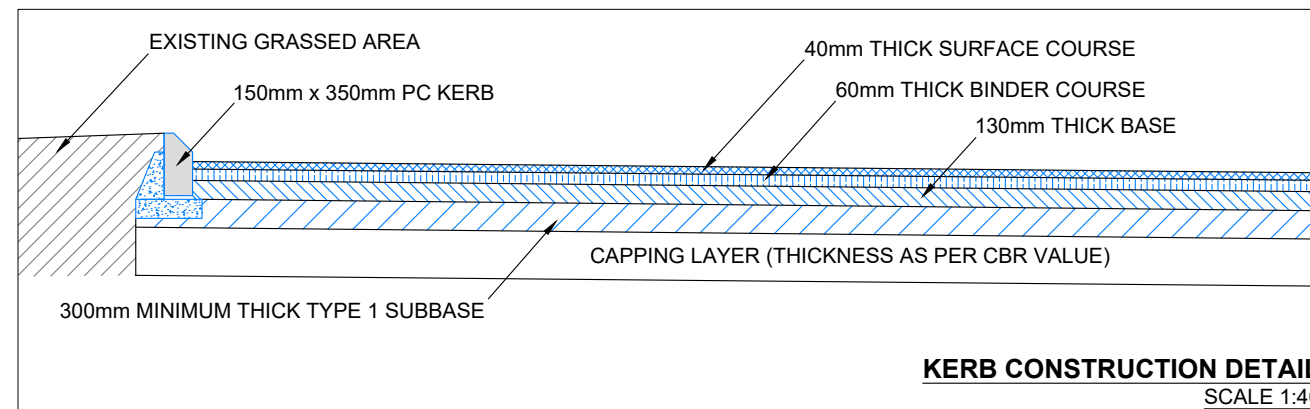
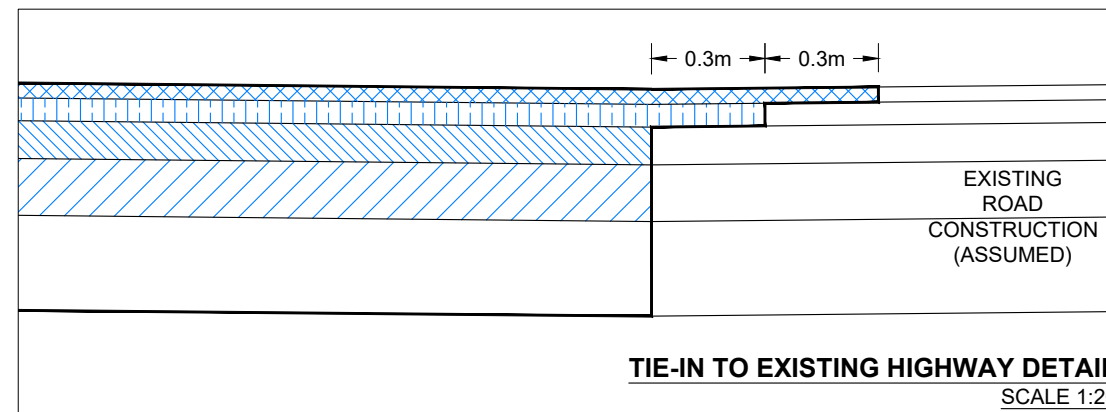
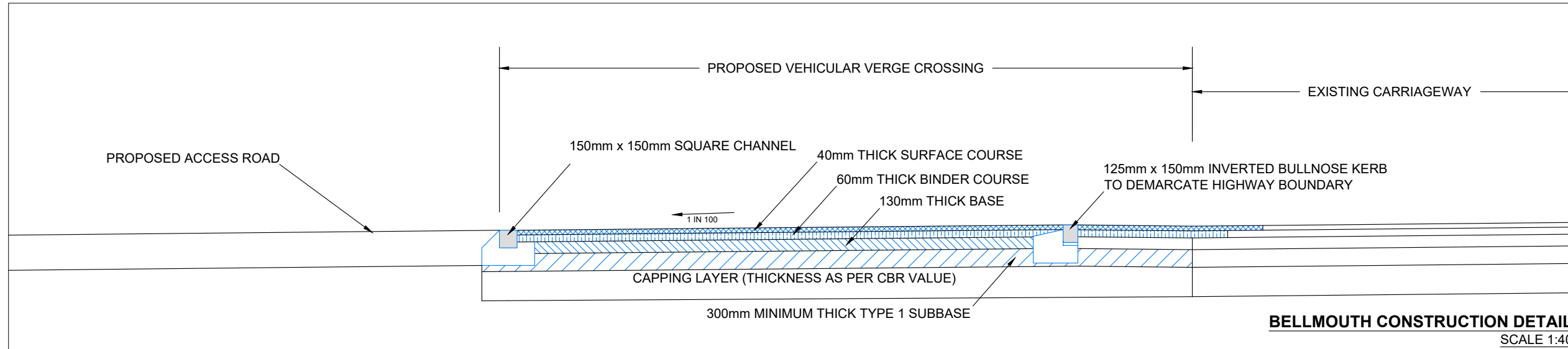


THIS INFORMATION IS CONFIDENTIAL AND THE PROPERTY OF SIRIUS. IT IS RELEASED ON CONDITION THAT NONE OF THE INFORMATION SHALL BE DISCLOSED TO ANY THIRD PARTY OR REPRODUCED IN WHOLE OR PART WITHOUT THE PRIOR CONSENT IN WRITING OF SIRIUS.

NOTES



REV	DESCRIPTION	DATE	BY

CLIENT



JOB TITLE

PARC SOLAR TRAFFWLL

DRAWING TITLE

ACCESS UPGRADE WORKS - CONSTRUCTION DETAILS

DRAWN	DATE	APPROVED	DATE
S.T	24/6/2021	J.C	24/6/2021

SCALE	SHEET	DRAWING NUMBER	REVISION
1:500	A3L	LOC1001/11/22	0