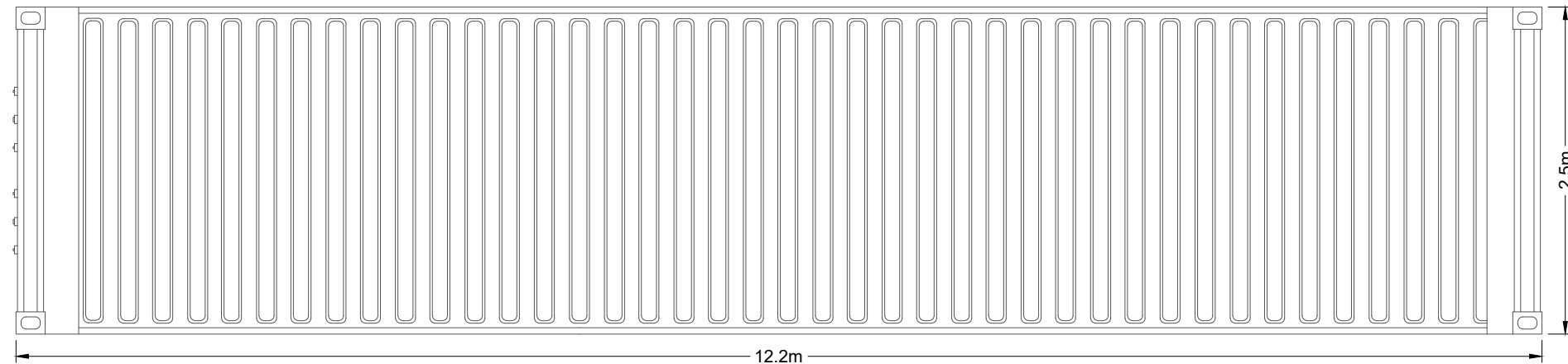
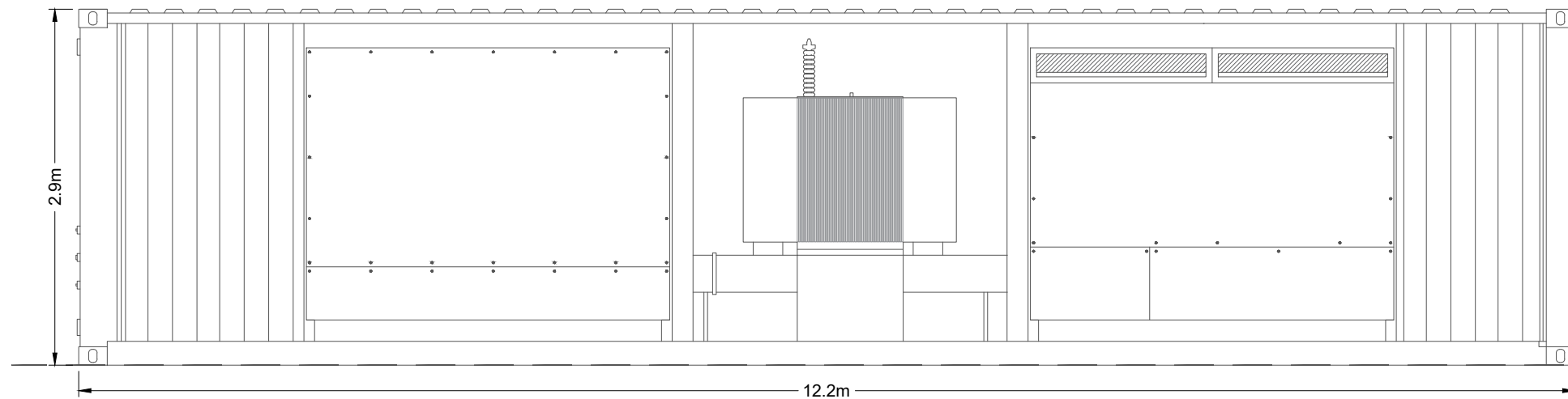


THIS INFORMATION IS CONFIDENTIAL AND THE PROPERTY OF SIRIUS. IT IS RELEASED ON CONDITION THAT NONE OF THE INFORMATION SHALL BE DISCLOSED TO ANY THIRD PARTY OR REPRODUCED IN WHOLE OR PART WITHOUT THE PRIOR CONSENT IN WRITING OF SIRIUS.

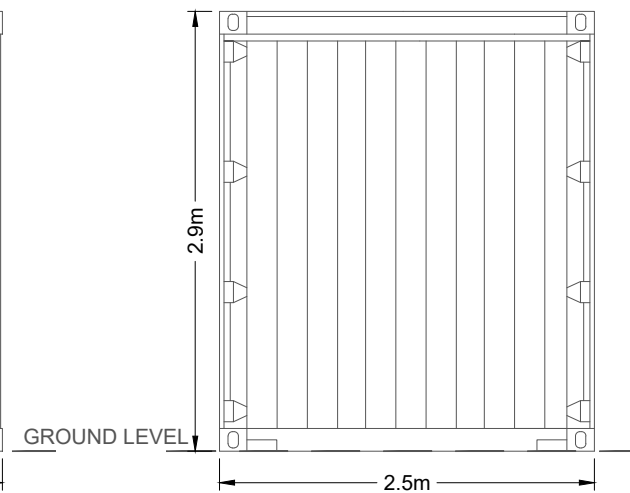
**KEY**



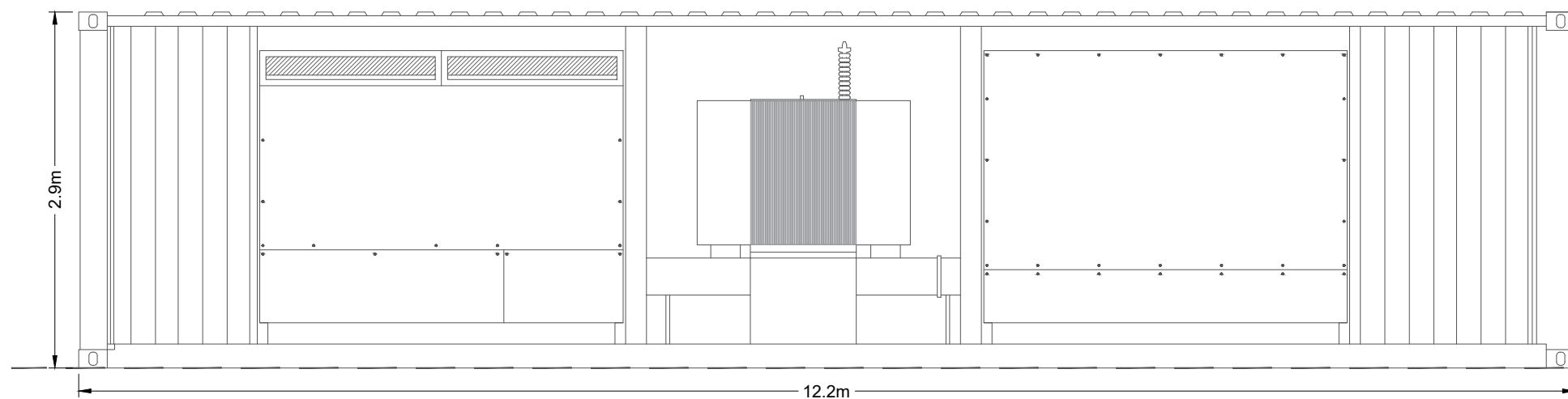
**ROOF PLAN**



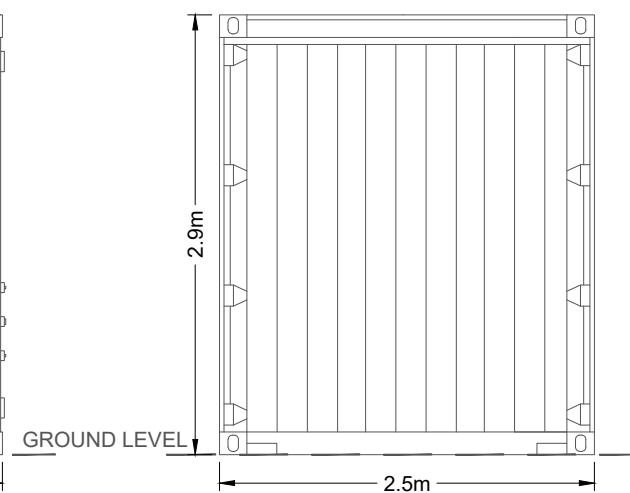
**REAR ELEVATION**



**SIDE ELEVATION**



**FRONT ELEVATION**



**SIDE ELEVATION**

REV	DESCRIPTION	DATE	BY

**CLIENT**



4245 Park Approach, Thorpe Park, Leeds. LS15 8GB. 0113 264 9960

**JOB TITLE**

PARC SOLAR TRAFFWLL

**DRAWING TITLE**

INVERTER, TRANSFORMER AND CONTROL EQUIPMENT CONTAINER DETAILS

DRAWN	DATE	APPROVED	DATE
S.T	6/7/2021	J.C	6/7/2021

SCALE	SHEET	DRAWING NUMBER	REVISION
1:50	A3L	LOC1001/11/09	0