

FOXTAM ELECTRICAL MEASUREMENT TRANSDUCCERS



GENERAL SPECIFICATIONS & DIMENSIONS

■ OUTPUT

Response time: <400mSec
 Warm up time: <15 mins
 Output ripple: 1% peak full scale
 Long term drift: +/- 0.25% per year non cumulative
 Maximum load: 0-1mA 10 KOhm max
 0-2.5mA 6 KOhm max
 0-5mA 3 KOhm max
 0-10mA 1.5 KOhm max
 0-20mA & 4-20mA 750 Ohm max
 Adjustment: Self powered voltage & current transducers have an adjustable span only
 All other transducers have an adjustable zero & span

■ AUXILIARY SUPPLY

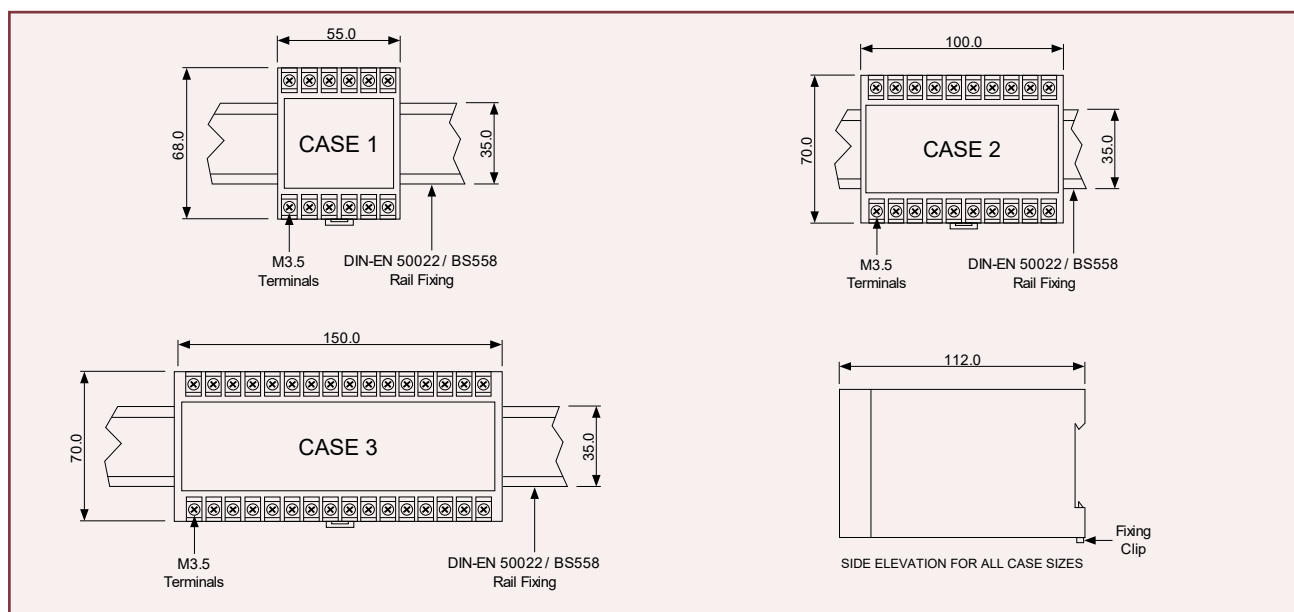
AC: 24 / 110 / 230 / 415V others on request
 DC: 24 / 48 / 110V
 Tolerance: +/- 20%
 Consumption: 4VA / W (combined Watt / VAr transducers 7VA / W)

■ EMC COMPLIANCE

Directive 89/36/EEC: Electrostatic discharge IEC801.2 (8KV)
 Electromagnetic fields IEC801.3 level 3
 Fast transient bursts IEC801.4 level 4
 Surge withstand IEC255-5

■ ENCLOSURE

Material: Grey ABS plastic with finger proof terminal covers
 Isolation: 4KV rms 50Hz for 1 min (to IEC414) between input / output / case / auxiliary supply
 1KV DC / 600VAC between outputs on combined Watt / VAr transducers
 Mounting: 35mm Din rail (DIN-EN 50022)
 CE Marked: Yes



See individual transducer data sheets for unit specific specification details

DC CURRENT TRANSDUCERS

TYPE: FOX.TR.DI



DESCRIPTION

Foxtam DC current transducers can measure DC current directly up to 10 Amps, above 10 Amps a shunt should be used in conjunction with a DC voltage transducer type FOX.TR.DU. The transducer converts the input signal to either a DC mA or DC voltage analogue signal output, directly proportional to the input. All DC current transducer require an auxiliary supply voltage. The 4KV isolated output signals can be utilised for many applications and can be fed into analogue meters, digital meters, PLC's or BMS systems.

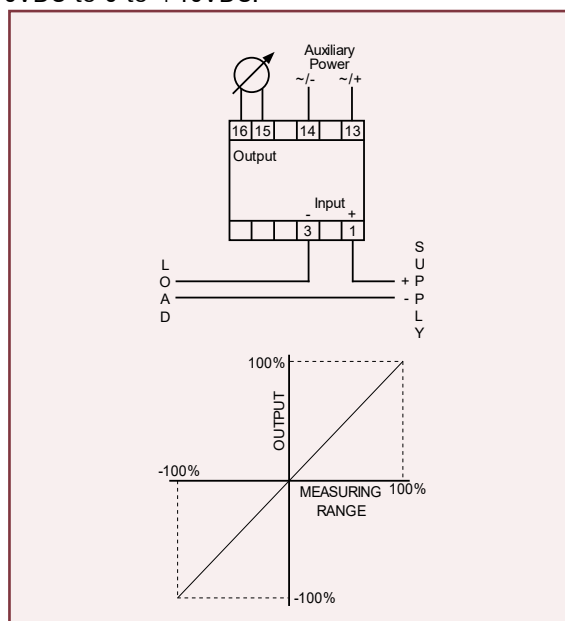
Transducer types include:-

FOX.TR.DI.U – Uni-polar output for example 4-20mA or 0-10VDC.

FOX.TR.DI.B – Bi-polar transducers which are particularly applicable for renewable energy applications when charging and discharging batteries. Also for applications involving the control of DC motors when reversing polarity to control direction of motion, outputs for example can be 4-12-20mA or -10VDC to 0 to +10VDC.

SPECIFIC SPECIFICATIONS

Accuracy:	Class 0.25
Input current:	0-1mA...10A direct
Overload:	2 x I_n continuous 30 x I_n for 1 sec
Working range:	0-120% I_n
Input Burden:	<0.3VA
Case size:	1



ORDERING INFORMATION

<u>TYPE</u>	<u>INPUT RANGE</u>	<u>OUTPUT UNI</u>	<u>OUTPUT BI</u>	<u>AUX SUPPLY</u>
FOX.TR.DI.U / Uni-polar	0-1mA....10A direct*	0-1mA	+/-1mA	24VAC
FOX.TR.DI.B / Bi-polar		0-2.5mA	+/-2.5mA	63VAC
		0-5mA	+/-5mA	110VAC
		0-10mA	+/-10mA	230VAC
		0-20mA	+/-20mA	415VAC
		4-20mA	4-12-20mA**	24VDC
		0-1VDC	+/-1VDC	48VDC
		0-5VDC	+/-5VDC	110VDC
		0-10VDC	+/-10VDC	

*Specify exact current input

**Also possible on bi-polar units to have as an example 0-5-10VDC output