

# AMMETER AND VOLTMETER SELECTOR SWITCHES

PRODUCT GROUP  
**CC**

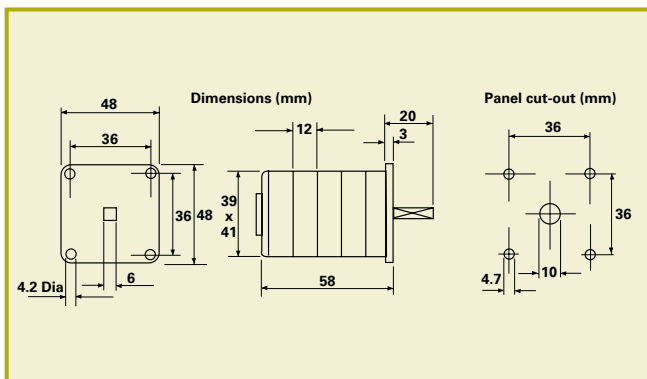
## DESCRIPTION

Two rotary selector switches for switching of ammeters (4 positions) and voltmeters (7 positions)

## APPLICATION

Suitable for panel builders requiring a panel mounted switch for switching meters between phase currents or line & phase voltages.

## DIMENSIONS



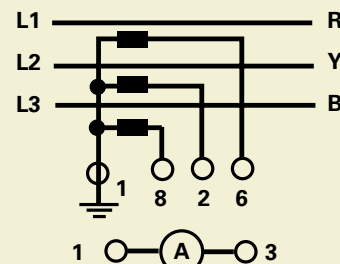
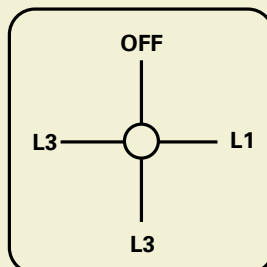
## SPECIFICATIONS

<b>Rated current:</b>	BS EN 60947-3 10 A (AC22)
<b>Rated voltage:</b>	BS EN 60947-3 500 V AC
<b>IP rating:</b>	Front - IP 40, Back - IP 2X
<b>Max cable size:</b>	4mm <sup>2</sup>
<b>Temperature range:</b>	-20°C to +40°C
<b>CE Marked:</b>	Yes

## TYPE: AU318E AMMETER SELECTOR SWITCH



Front plate



## TYPE: V308E VOLTMETER SELECTOR SWITCH



Front plate

