

# MOULDED CASE PRIMARY WOUND CT - WITH UNIQUE TRANSUDCER OPTION



## TYPE: WSK40

### FEATURES

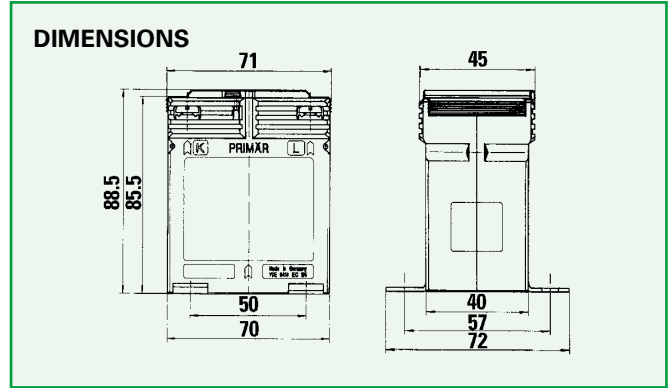
- Din rail mounted or foot mounted
- Snap fit terminal covers
- Transformer width 70mm
- Primary ranges from 1 Amp to 30 Amps
- 1 Amp or 5 Amp secondaries



PRIMARY CURRENT	1	5	10	15	20	25	30
VA	5	5	5	5	5	5	5
CLASS	1	1	1	1	1	1	1

### NMC PLUG IN TRANSUDCERS

P/No	CT SECONDARY	AUX SUPPLY	OUTPUT
NMC012-37213	1A	Self powered	0-20mA & 0-10VDC & 1A
NMC022-37013	5A	Self powered	0-20mA & 0-10VDC & 5A
NMC212-39233	1A	24VDC	4-20mA & 0-10VDC & 1A
NMC222-39033	5A	24VDC	4-20mA & 0-10VDC & 5A
NMC312-36233	1A	230VAC	4-20mA & 0-10VDC & 1A
NMC322-36033	5A	230VAC	4-20mA & 0-10VDC & 5A
NMC412-76233	1A	110VAC	4-20mA & 0-10VDC & 1A
NMC422-76033	5A	110VAC	4-20mA & 0-10VDC & 5A



■ All WSK40 models available with 1 Amp or 5 Amp secondaries. Above ratios available as Class 0.5 to special order, please consult sales office for information.

Spare Din rail mounting clips available P/No. 55012

# MOULDED CASE CT - WITH UNIQUE TRANSUDCER OPTION

## TYPE: ASR22.3

### FEATURES

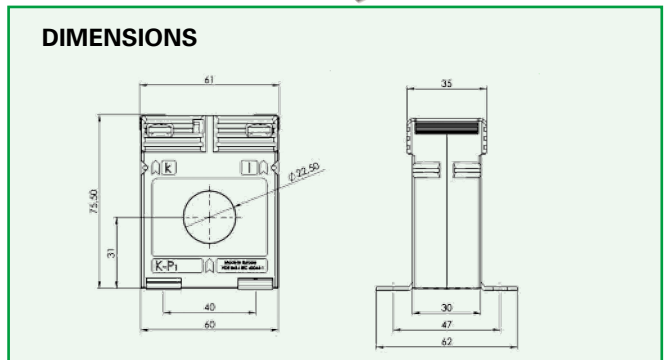
- Din rail mounted or foot mounted
- Snap fit secondary terminal covers
- Transformer width 60mm
- Max conductor size 22.5mm dia.
- Primary ranges from 40 Amps to 600 Amps
- 1 Amp or 5 Amp secondaries



PRIMARY CURRENT	40	50	60	80	100	150	200	250	300	400	500	600
VA	1	1	1	2.5	3.75	5	5	10	10	10	10	10
CLASS	3	1	1	1	1	1	1	1	1	1	1	1

### NMC PLUG IN TRANSUDCERS

P/No	CT SECONDARY	AUX SUPPLY	OUTPUT
NMC011-37212	1A	Self powered	0-20mA & 0-10VDC & 1A
NMC021-37012	5A	Self powered	0-20mA & 0-10VDC & 5A
NMC211-39232	1A	24VDC	4-20mA & 0-10VDC & 1A
NMC221-39032	5A	24VDC	4-20mA & 0-10VDC & 5A
NMC311-36232	1A	230VAC	4-20mA & 0-10VDC & 1A
NMC321-36032	5A	230VAC	4-20mA & 0-10VDC & 5A
NMC411-76232	1A	110VAC	4-20mA & 0-10VDC & 1A
NMC421-76032	5A	110VAC	4-20mA & 0-10VDC & 5A



■ All ASR22.3 models available with 1 Amp or 5 Amp secondaries. Above ratios available as Class 0.5 to special order, please consult sales office for information.

Spare Din rail mounting clips available P/No. 55012