

FOX.SC40

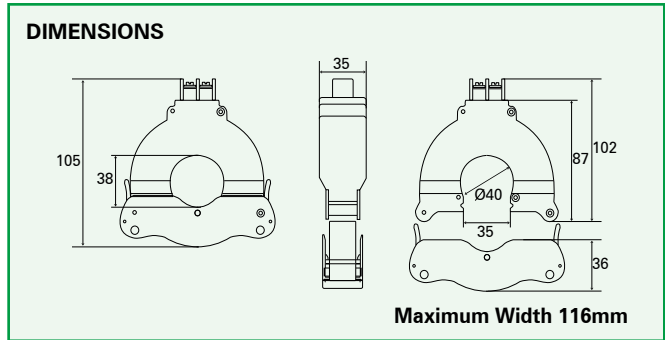
FEATURES

- Protected terminals
- Max cable size 40mm dia.
- Primaries from 100 Amps to 800 Amps
- Max overall dimensions 116x105mm
- Class 1 (only)
- 1 Amp or 5 Amp secondaries



PRODUCT GROUP
V

P/No.	CLASS	VA
FOX.SC40 100/5	1	1
FOX.SC40 150/5	1	1.5
FOX.SC40 200/5	1	2.5
FOX.SC40 250/5	1	2.5
FOX.SC40 300/5	1	2.5
FOX.SC40 400/5	1	5
FOX.SC40 500/5	1	5
FOX.SC40 600/5	1	5
FOX.SC40 800/5	1	5



FOUR WAY AC CURRENT TRANSDUCER 4 x 0.1-50 AMPS INPUTS TO 4 x 0-5VDC OR 0-10VDC OUTPUTS

TYPES: YW4/0-5VDC, YW4/0-10VDC

FEATURES

- Din rail mounted
- Supplied complete with four split core CT's
- Primary current range 0.1-50Amps
- Choice of 4x 0-5VDC or 0-10VDC outputs
- Ideal retrofit solution for monitoring output ways on PDU's



PRODUCT GROUP
GG

DESCRIPTION & MODE OF OPERATION

A din rail mounted four way AC current transducer. Accepting up to four inputs from the miniature split core current transformers supplied as a "kit" with the unit and giving four isolated analogue voltage signal outputs, either 0-5V DC or 0-10V DC. The maximum primary current possible is 50Amps which is compatible with the 10mm ID of the split core CT. The YW4 has individual pairs of terminals for the CT inputs, whilst the output channels share a common 0V rail. The YW4 requires a separate AC or DC supply voltage with isolation offered via an internal transformer or DC to DC converter.

SPECIFICATIONS

Supply & Measuring

Nominal supply tolerance: ±15%
 Frequency: 50/60Hz
 Max power consumption: 3VA
 Input x 4: 0.1-50Amps via split core CT
 Input impedance per channel: 10 Ohms
 Output x 4: 0-5VDC or 0-10VDC
 Output impedance: > 1 KOhms
 Gain error: < 0.1% of full scale
 Zero offset: < 0.1% of full scale

Isolation

Supply to input & output: Via internal transformer or DC to DC converter
 Input to output: Via external CT
 Output channel to channel: Common 0V rail

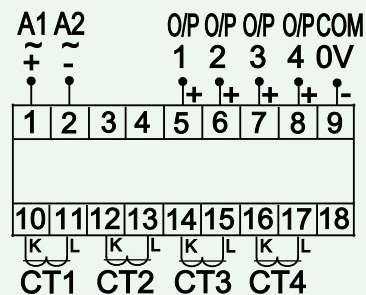
General

Operating temperature: -20°C to +65°C
 Storage temperature: -20°C to +65°C
 Max cable size: 2.5mm
 CE marked: Yes
 In accordance with: EN61000-6-3: 2007
 EN61010-1: 2002

Housing material: Polycarbonate, Auto extinguishable to UL 94 V-0

Tel: 0161 626 5316 / 01276 25858

CONNECTIONS



CT Specifications

Primary current range: 0.1 to 50Amps
 Secondary current: 0-16.6mA
 Accuracy class: Class 1
 Max input current: 100Amps continuous
 Max circuit voltage: 600V AC (insulated cable)
 Frequency: 10Hz to 5KHz
 Internal diameter: 10mm
 External dimensions (mm): 26W x 23D x 48H

ORDERING INFORMATION

TYPE	SUPPLY VOLTAGE		
YW4/0-5V DC	440VAC	230VAC	48VDC
YW4/0-10V DC	415VAC	110VAC	24VDC
	400VAC	48VAC	12VDC
	380VAC	24VAC	

Spare CT's available separately, P/N o. F-50A