

FOXTAM DIN RAIL MOUNTED MODULAR SWITCH MODE POWER SUPPLIES

PRODUCT
GROUP
P

TYPE: FOX.PSU-1 xxx/xx

FEATURES

- Din rail mounted modular construction
- Switch mode technology & regulated class 2
- 12VDC output from 1 amp to 5 Amps
- 24VDC output from 0.5 amps to 2.5 Amps
- 100-240VAC universal voltage primary
- Short circuit protection
- Electronic overload protection
- CE marked

TECHNICAL SPECIFICATIONS

INPUT

Primary voltage: 100-240VAC +/-10%
Frequency: 47-63Hz

OUTPUT

Indication: Via green LED (not 1 module units)
Adjustment: 12-14VDC & 24-28VDC (not 1 module units)
Regulation: +/-3% across 0-100% of load
Temp range: 0-50°C full load possible
60°C possible but at -30% reduced load

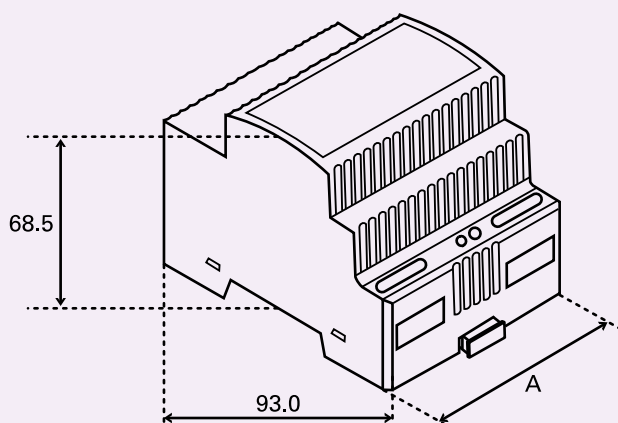
Continuous use: Yes

STANDARDS

Safety standards: EN60950-2006/95/ECC 89/336
EMC standards: EN55022/B – EN55024
Insulation: Class II
CE marked: Yes



CASE DIMENSIONS



Example illustrated is 3 modules width, the profile is the same for all case sizes but the widths vary as follows:

- 1 Module width: A=17.5mm
- 2 Modules width: A=35.0mm
- 3 Modules width: A=52.5mm
- 4 Modules width: A=70.0mm

FOX.PSU-1 012/12VDC FOX.PSU-1 012/24VDC



FEATURES

- Output 12VDC / 1 Amp
Output 24VDC / 0.5 Amp
- Only 1 module width (17.5mm)
- Primary voltage 100-240VAC universal



FOX.PSU-1 024/12VDC FOX.PSU-1 024/24VDC

FEATURES

- Output 12VDC adjustable 12-14VDC / 2 Amps
Output 24VDC adjustable 24-28VDC / 1 Amps
- 2 modules width (35mm)
- Primary voltage 100-240VAC universal
- LED indication for output healthy



FOX.PSU-1 030/24VDC

FEATURES

- Output 24VDC adjustable 24-28VDC / 1.25 Amps
- 3 modules width (53.5mm)
- Primary voltage 100-240VAC universal
- LED indication for output healthy



FOX.PSU-1 060/12VDC FOX.PSU-1 060/24VDC

FEATURES

- Output 12VDC adjustable 12-14VDC / 5 Amps
Output 24VDC adjustable 24-28VDC / 2.5 Amps
- 4 modules width (70mm)
- Primary voltage 100-240VAC universal
- LED indication for output healthy

