

ELECTRONIC LATCHING RELAYS

TYPES: UNI-1LR (spco) & UNI-2LR (dpcO)



FEATURES

- Din rail mounted
- Modern modular design
- Width 27mm (1.5 modules)
- SPCO & DPCO versions
- 16 Amp AC1 rated
- Multi voltage 12-250VACDC
- Dual LED indication
- CE marked

DESCRIPTION & MODE OF OPERATION

An attractive modern designed 16 Amp AC1 latching relay in a din rail mounted modular style housing of 1.5 modules width (27mm). The relay features the facility of double deck terminals thus enabling the timer to be available also in both SPCO and DPCO versions. The latching function is commanded via three different trigger inputs (see operation description below). A green supply on LED is featured along with a red LED to indicate relay output status. All terminal details and information along with the CE mark is clearly marked on the sides of the housing.



FUNCTION

A permanent supply is required at all times on terminals A1 & A2, however this is not the controlling factor. The controlling factor is a trigger command from terminal A1 onto terminals Y1, Y2 or Y3. On an input being made from A1 to Y1 the relay contacts will immediately energise, on a new trigger input from A1 to Y1 the contacts will immediately de-energise. Alternatively a trigger input can be made from A1 to Y2 this just being an energisation command (ON), or A1 to Y3 a de-energisation command (OFF).

SPECIFICATIONS

Supply Voltage

- Coil Voltage: 12-250VACDC
- Max power consumption: 5VA / 2.8W
- Insulation: 2.5KV 50Hz impulse

Trigger inputs (Y1, Y2 & Y3):

- Max consumption: 5mA
- Min input time: 25mSec
- Max time input: Continuous
- A1 to Y1: On / Off (toggle action)
- A1 to Y2: On
- A1 to Y3: Off

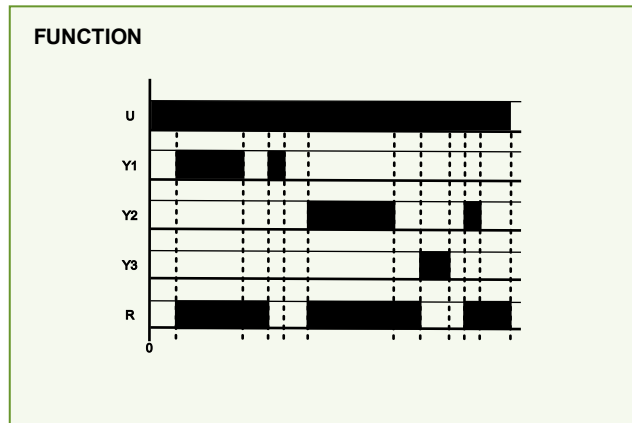
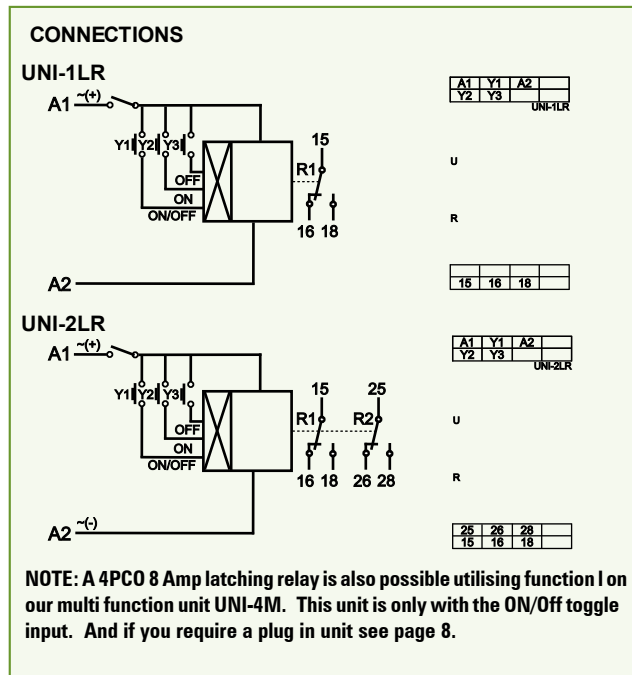
Relay outputs:

- Output contacts: 16Amps/250V AC1
- Max breaking capacity: 4000VA
- Reset time: Max 100mSec
- Mechanical life: 30 Million ops
- Electrical life: 200K ops at max rated load

General:

- Operating temperature: -20°C to +65°C
- Storage temperature: -20°C to +65°C
- Max cable size: 2.5mm
- Approvals: VDE0110 (Group C) & VDE0435
- CE marked: Yes
- In accordance with: EN61000-6-1: 2007
EN61000-6-3: 2007
EN61010-1: 2002

- Housing material: Polycarbonate, Auto extinguishable to UL 94 V-0



The command contacts should be isolated from other circuits and must only be connected to the same supply as the coil voltage to the relays.